

1



GR40I-ZID.GG.CR | 116897/A01 | Portfolio STD-WW | ZABluefin ECblue

Technical Description

Ventilation unit GR..ZABluefin-ECblue for vertical airflow**GR25I.CR - GR56I.CR:**

- Sizes 250 ... 560 mm
 - Welded supporting structure made of powder coated sheet steel
 - Inlet ring designed for optimum air flow, made of galvanised steel sheet with measuring device for determination of flow rate
- Installation position vertical and horizontal motor shaft

Standard design with ECblue motor and integrated electronics**Material of impeller:**

- ZAMid - high performance composite material

Color of impeller:

- Color of Impeller RAL 5002 (ultramarin blue)

Mains voltage motor size B_:

- 1~ 200...277 V; 50/60 Hz

Mains voltage motor size D_:

- 1~ 200...277 V; 50/60 Hz
- 3~ 200...240 V; 50/60 Hz
- 3~ 380...480 V; 50/60 Hz

Mains voltage motor size G_:

- 3~ 200...240 V; 50/60 Hz
- 3~ 380...480 V; 50/60 Hz

Thermal class:

- THCL155

Thermal protection:

- Protection with active temperature management

Protection:

- IP55

Coating:

- Motor painted in RAL5002

Controller (only motor size B_):

- Activation via external speed setting 0-10 V / PWM, Communication

FANselect



- interface
on request
- Standard cable length: 60 cm

Controller (only motor size D_, G_):

- BASIC: Activation via external speed setting 0-10 V / PWM Art. no. ER- and GR-module in basic version
- PREMIUM: Integrated control functionality, Communication interface on request

Cable glands:

- Motor size D: 3 x M16 x 1.5
- Motor size G: 3 x M20 x 1.5

Ambient temperature:

- Minimum permissible ambient temperature: -20 °C*
- Maximum permissible ambient temperature: 40 °C or see data sheet

***Continuous operation with occasional starts (S1) according to DIN EN 60034-1: 2011-02. Occasional starting between -35 ° C and -25 ° C is permissible. Permanent operation below -25 ° C only possible with special bearings for refrigeration applications on request.**



plan

18.06.2025

version FANselect V 1.01 (250218), AMCA V 1.03 September, 2021
RLT V 1.00 Dezember, 2021 / 1.25.02.18 | 42567 | (utilisateur ZAFS32567)

1



GR40I-ZID.GG.CR
116897/A01

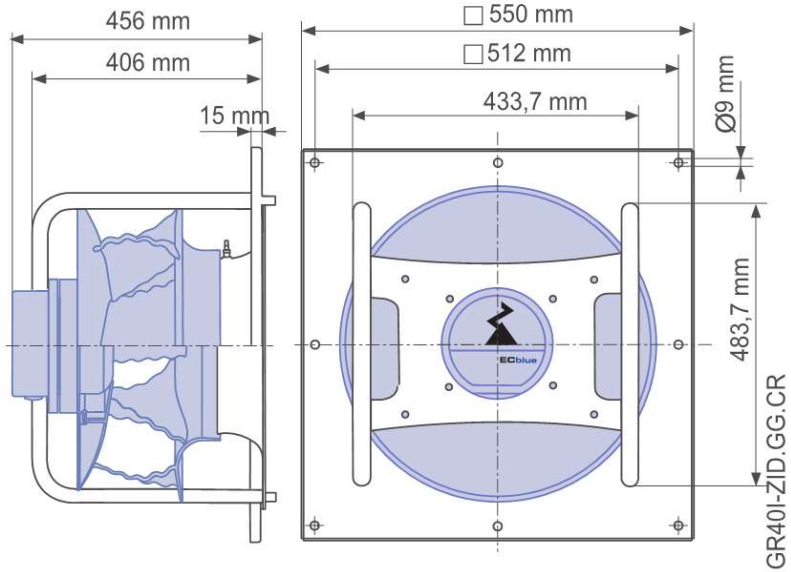


schéma de bobinage

18.06.2025

version FANselect V 1.01 (250218), AMCA V 1.03 September, 2021
RLT V 1.00 Dezember, 2021 / 1.25.02.18 | 42567 | (utilisateur ZAFS32567)

1



GR40I-ZID.GG.CR
116897/A01

