

1



GR25I-6ID.BD.CR | 116882/A01 | Portfolio STD-WW | ZABluefin ECblue

## Technical Description

**Ventilation unit GR..ZABluefin-ECblue for vertical airflow****GR25I.CR - GR56I.CR:**

- Sizes 250 ... 560 mm
  - Welded supporting structure made of powder coated sheet steel
  - Inlet ring designed for optimum air flow, made of galvanised steel sheet with measuring device for determination of flow rate
- Installation position vertical and horizontal motor shaft

**Standard design with ECblue motor and integrated electronics****Material of impeller:**

- ZAmid - high performance composite material

**Color of impeller:**

- Color of Impeller RAL 5002 (ultramarin blue)

**Mains voltage motor size B\_:**

- 1~ 200...277 V; 50/60 Hz

**Mains voltage motor size D\_:**

- 1~ 200...277 V; 50/60 Hz
- 3~ 200...240 V; 50/60 Hz
- 3~ 380...480 V; 50/60 Hz

**Mains voltage motor size G\_:**

- 3~ 200...240 V; 50/60 Hz
- 3~ 380...480 V; 50/60 Hz

**Thermal class:**

- THCL155

**Thermal protection:**

- Protection with active temperature management

**Protection:**

- IP54

**Coating:**

- Motor painted in RAL5002

**Controller (only motor size B\_):**

- Activation via external speed setting 0-10 V / PWM, Communication

# FANselect



- interface  
on request
- Standard cable length: 60 cm

**Controller (only motor size D\_, G\_):**

- BASIC: Activation via external speed setting 0-10 V / PWM Art. no. ER- and GR-module in basic version
- PREMIUM: Integrated control functionality, Communication interface on request

**Cable glands:**

- Motor size D: 3 x M16 x 1.5
- Motor size G: 3 x M20 x 1.5

**Ambient temperature:**

- Minimum permissible ambient temperature: -20 °C\*
- Maximum permissible ambient temperature: 40 °C or see data sheet

**\*Continuous operation with occasional starts (S1) according to DIN EN 60034-1: 2011-02. Occasional starting between -35 ° C and -25 ° C is permissible. Permanent operation below -25 ° C only possible with special bearings for refrigeration applications on request.**



## plan

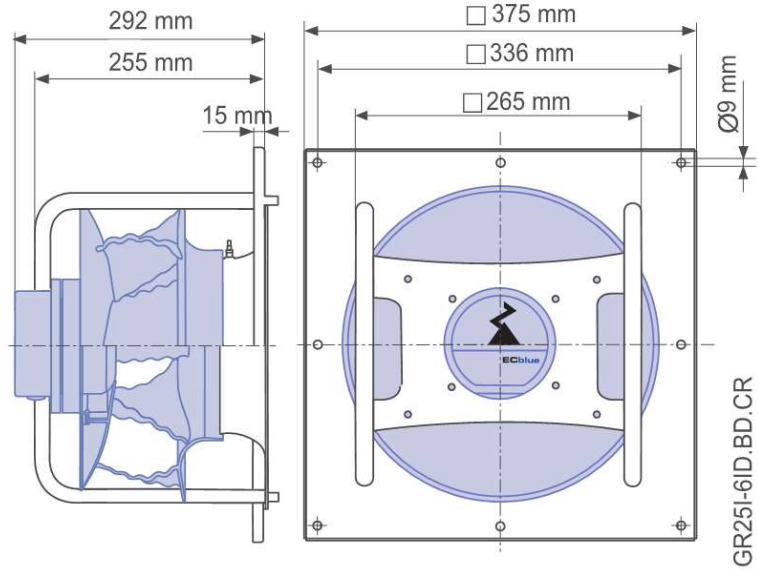
18.06.2025

version FANselect V 1.01 (250218), AMCA V 1.03 September, 2021<br>RLT V 1.00 Dezember, 2021 / 1.25.02.18 | 42567 | (utilisateur ZAFS32567)

1



**GR25I-6ID.BD.CR**  
116882/A01



## schéma de bobinage

18.06.2025

version FANselect V 1.01 (250218), AMCA V 1.03 September, 2021<br>RLT V 1.00 Dezember, 2021 / 1.25.02.18 | 42567 | (utilisateur ZAFS32567)

1



**GR25I-6ID.BD.CR**  
116882/A01

